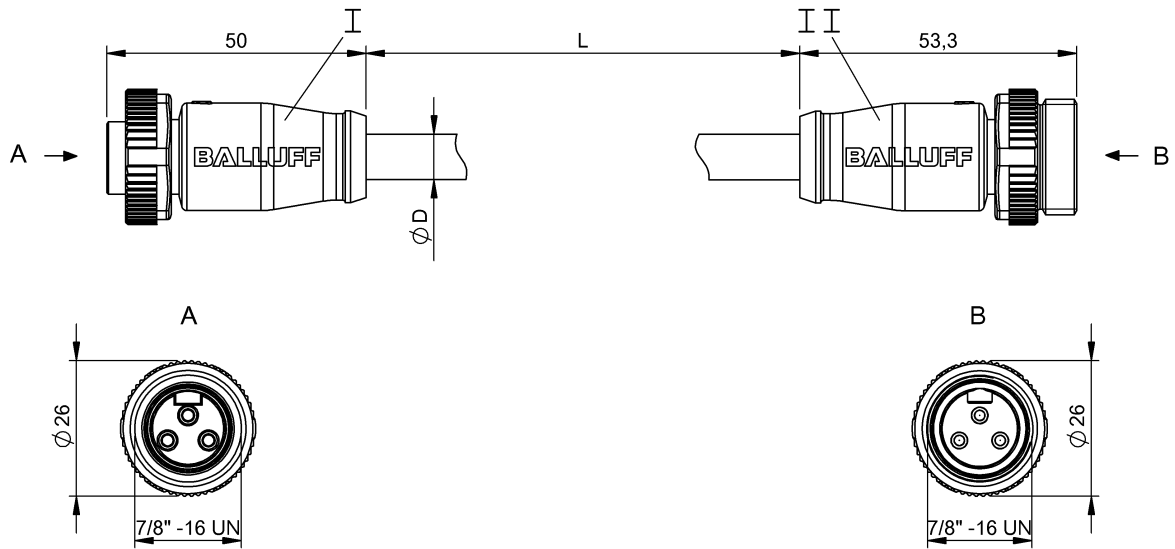


Double-Ended Cordsets
BCC A313-A313-30-365-PX03A5-300
Order Code: BCC0JLR

BALLUFF



Basic features

Approval/Conformity	CE cULus WEEE
---------------------	---------------------

Electrical connection

Bending radius min., fixed cable	7.5 x D
Bending radius min., flexible cable	10 x D
Cable	PUR black, 30 m, drag chain compatible
Cable diameter D	7.40 mm ±0.20 mm
Cable, bending cycles min.	5 mil.
Conductor cross-section	1.5 mm ²
Connection 1	7/8"-Female, straight, 3-pin
Connection 2	7/8"-Male, straight, 3-pin
Number of conductors	3
System	Molded/Molded

Electrical data

Operating voltage Ub	300 VDC / 300 VAC
Rated current (40 °C)	13.0 A

Remarks

Cable construction acc. to UL-AWM Style 20234
 Halogen-free
 Silicone-free
 Flame-retarding
 Enclosure rating per IEC 60529, only in screwed state with the associated mating piece.

Environmental conditions

Cable temperature, fixed routing	-40...80 °C
Cable temperature, flexible routing	-20...80 °C
IP rating	IP67, IP68/IP67, IP68

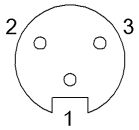
Material

Cable jacket, material	PUR
Material contact carrier	PUR/PUR
Material contacts	Brass/Brass
Material cover nut	Die-cast zinc/Die-cast zinc
Material grip	PUR/PUR

Mechanical data

Acceleration max., drag chain	5 m/s ²
Cable jacket, color	black
Cable length L	30.00 m
Cable properties	drag chain compatible
Horizontal travel permitted, drag chain	20 m
Tightening torque pigtail	1.5 Nm/1.5 Nm
Traverse speed max., drag chain	300 m/min

Connector Drawings

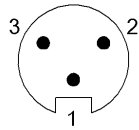


I

PIN 1: green/yellow

PIN 2: brown

PIN 3: blue



II

PIN 1: green/yellow

PIN 2: brown

PIN 3: blue

Wiring Diagrams

